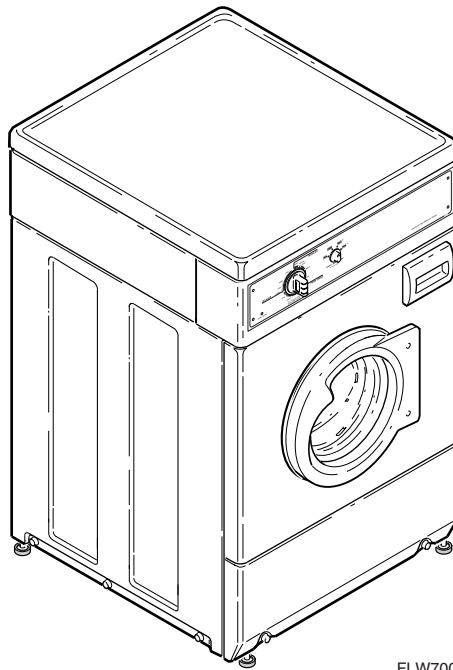


# Tumble Action Washers

## Installation

**NOTA:** El manual en español aparece después del manual en inglés.



FLW700C

**Keep These Instructions for Future Reference.**

(If this machine changes ownership, this manual must accompany machine.)

  
**Alliance**  
Laundry Systems

[www.comlaundry.com](http://www.comlaundry.com)

Part No. 800971  
July 2001



# Table of Contents

|   |            |
|---|------------|
| <b>Replacement Parts</b> .....                            | 3          |
| <b>Installation</b> .....                                 | 5          |
| Dimensions and Specifications .....                       | 5          |
| Before You Start .....                                    | 6          |
| Tools .....   | 6          |
| Electrical .....  | 6          |
| Water .....   | 6          |
| Accessories Bag .....                                     | 6          |
| Installing the Unit .....                                 | 7          |
| Step 1: Position Washer Near Installation Area .....      | 7          |
| Step 2: Connect Water Inlet Hoses .....                   | 7          |
| Step 3: Connect Drain Hose to Drain Receptacle .....      | 8          |
| Step 4: Position and Level the Washer .....               | 10         |
| Step 5: Remove the Shock Sleeves and Shipping Brace ..... | 11         |
| Step 6: Wipe Out Inside of Washer Drum .....              | 11         |
| Step 7: Plug In the Washer .....                          | 11         |
| Step 8: Check Installation .....                          | 12         |
| Moving Unit to a New Location .....                       | 12         |
| Electrical Requirements .....                             | 12         |
| Grounding Instructions .....                              | 13         |
| Water Supply Requirements .....                           | 14         |
| Water Temperature .....                                   | 14         |
| Water Pressure .....                                      | 14         |
| Risers .....  | 14         |
| Information for Handy Reference .....                     | 15         |
| <b>Installer Checklist</b> .....                          | Back Cover |

© Copyright 2001, Alliance Laundry Systems LLC

All rights reserved. No part of the contents of this book may be reproduced or transmitted in any form or by any means without the expressed written consent of the publisher.



# Replacement Parts

If replacement parts are required, contact the source from where you purchased your washer, or contact:

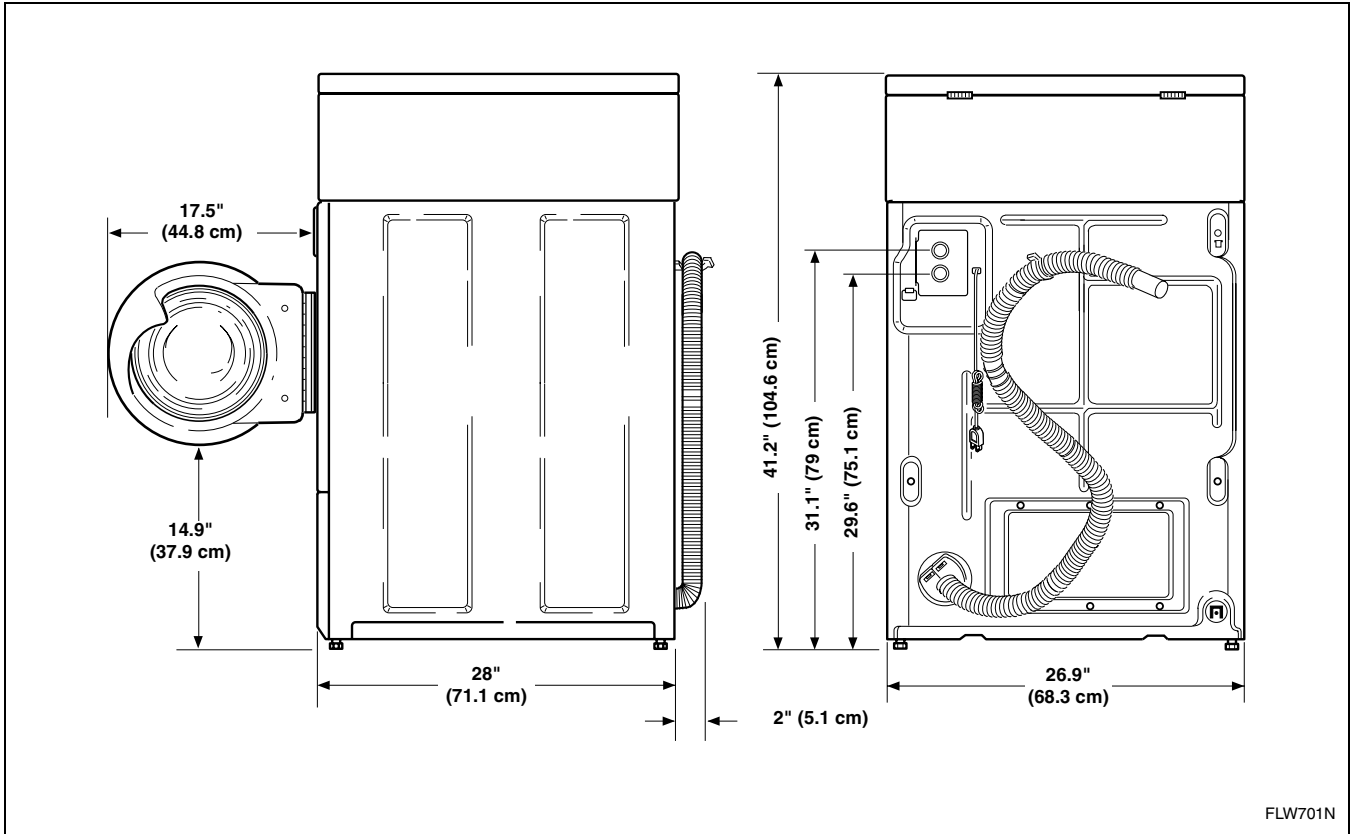
**Alliance Laundry Systems**  
**Shepard Street**  
**P.O. Box 990**  
**Ripon, WI 54971-0990**  
**U.S.A.**  
**Phone: (920) 748-3950**

for the name and address of the nearest authorized parts distributor.



# Installation

## Dimensions and Specifications



## Installation

### Before You Start

#### Tools

For most installations, the basic tools you will need are:

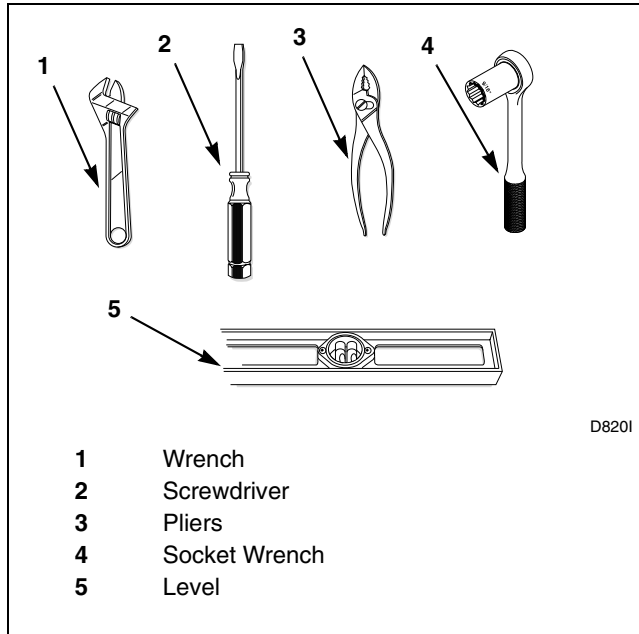


Figure 1

#### Electrical

Refer to serial plate for specific electrical requirements. For more detailed information refer to section on *Electrical Requirements*.

#### Water

Washer needs two standard 3/4 in. (19.1 mm) water supply faucets with a pressure between 138 and 827 kPa (20 to 120 pounds per square inch). For more detailed information refer to section on *Water Supply Requirements*.

#### Accessories Bag

An accessories bag has been shipped inside your washer. It includes:

- Two inlet hoses with washers. Refer to step 2 of *Installation*.
- Four rubber feet. Refer to step 4 of *Installation*.
- Beaded tie-down strap. Refer to step 3 of *Installation*.
- Installation instructions.
- Use and Care Guide.
- Operating insert.
- Warranty bond.
- Helpful Hints insert.
- Bag for storing shipping materials.



## Installing the Unit

### Step 1: Position Washer Near Installation Area

**IMPORTANT:** Install dryer before washer. This allows room for attaching exhaust duct.

Move washer as close to the desired area of installation as possible.



Figure 2

### Step 2: Connect Water Inlet Hoses

**NOTE:** Refer to section on *Water Supply Requirements* before connecting water inlet hoses.

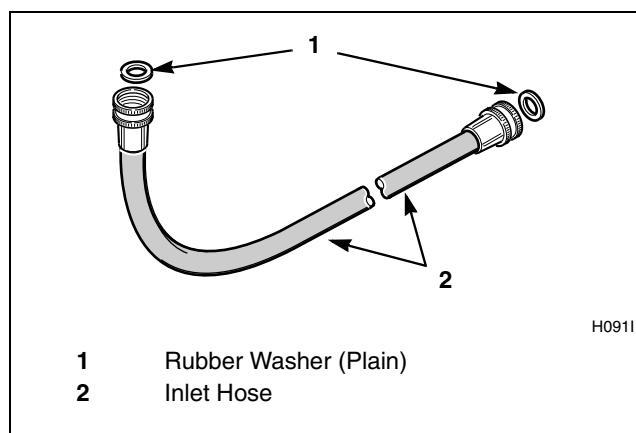
Remove the four plain rubber washers from accessories bag, and install them according to *Figure 3*.

Turn on the water supply faucets and flush the lines for approximately two minutes to remove any foreign materials that could clog the screens in the water mixing valve.

**NOTE:** When installing in newly constructed or renovated building, it is very important to flush the lines since build-up may have occurred during construction.

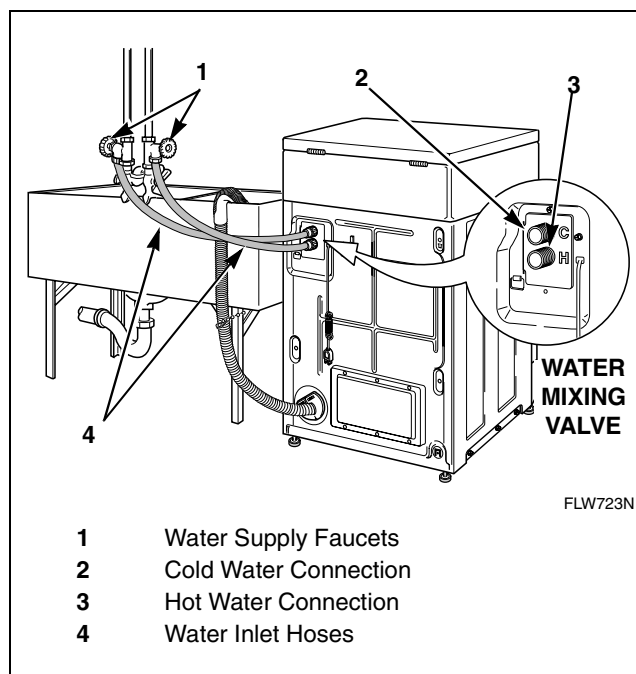
**IMPORTANT:** Thread hose couplings onto valve connections finger-tight, then approximately 1/4 turn with pliers. **DO NOT** cross thread or overtighten couplings.

Turn water on and check for leaks. If leaks are found, retighten the hose couplings. Continue tightening and rechecking until no leaks are found.



- 1 Rubber Washer (Plain)
- 2 Inlet Hose

Figure 3



- 1 Water Supply Faucets
- 2 Cold Water Connection
- 3 Hot Water Connection
- 4 Water Inlet Hoses

Figure 4

## Installation

### Step 3: Connect Drain Hose to Drain Receptacle

Remove the drain hose from its shipping position on the rear of the washer by unhooking the hose from the retainer clamp.

Find the instructions, on the following pages, that are appropriate for your type of drain receptacle (standpipe, sink, wall, or laundry tub). Follow these instructions to properly install the drain hose.

**IMPORTANT: Drain receptacle must be capable of handling a minimum of 1-1/4 inch (3.2 cm) outside diameter drain hose.**

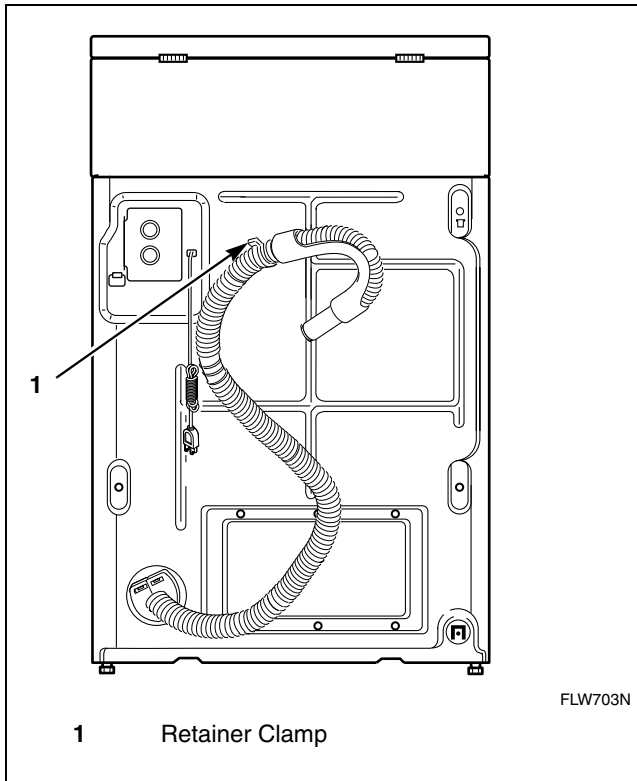


Figure 5

### Standpipe Installation

Place the drain hose into the standpipe.

Remove the beaded tie-down strap from accessories bag and place around standpipe and drain hose and tighten strap to hold hose to standpipe. This will prevent the drain hose from dislodging from drain receptacle during use.

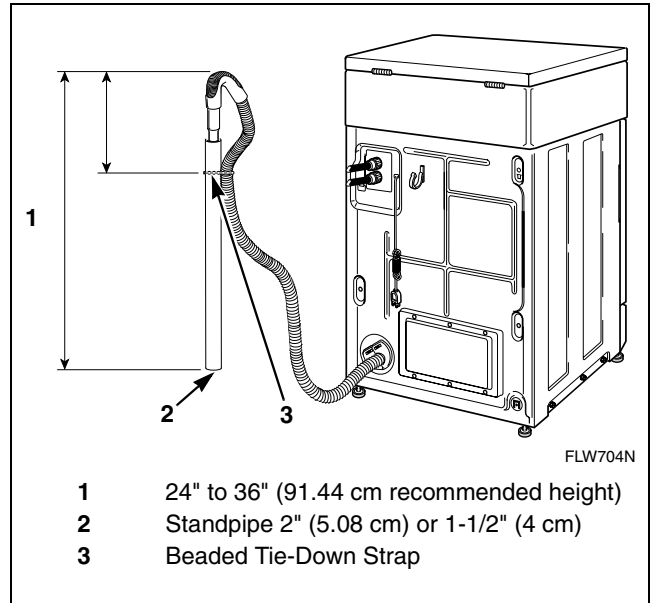


Figure 6

### Sink Installation

For this type of installation, use the beaded tie-down strap (supplied in accessories bag) or use a large wire tie (available from your local hardware store), and secure the drain hose to the cabinet top hinge (refer to *Figure 7*). This will prevent the drain hose from dislodging during use.

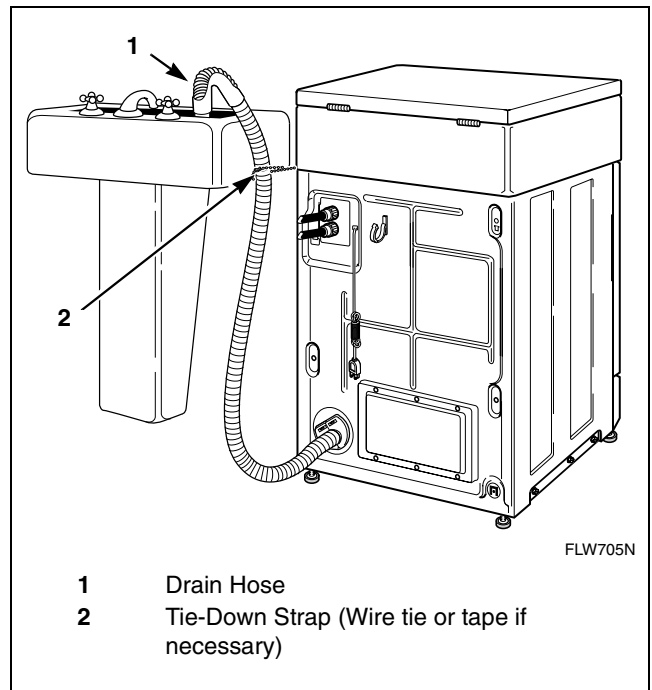


Figure 7

*In-the-Wall Installation*

For installations of this type, the drain hose **MUST** be secured to one of the inlet hoses using the beaded tie-down strap from accessories bag.

**NOTE: End of drain hose must not be below 24 in. (61 cm).**

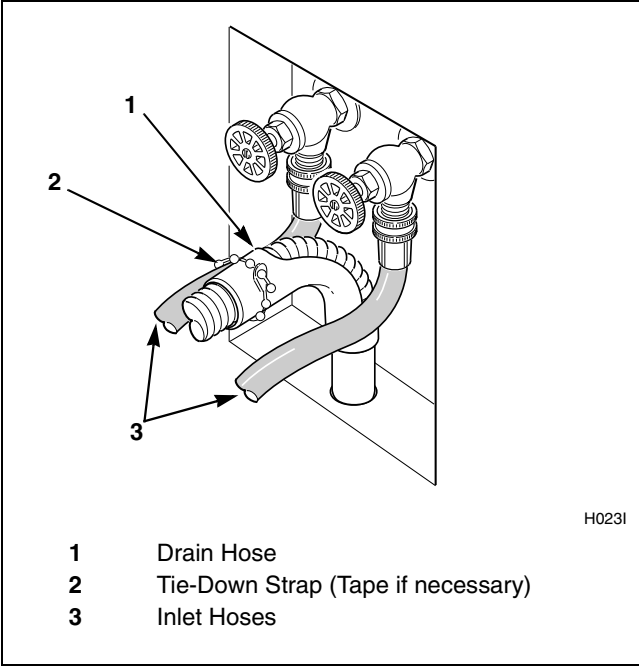


Figure 8

*Laundry Tub Installation*

For this type of installation, the drain hose **MUST** be secured to the stationary tub to prevent hose from dislodging during use. Use the beaded tie-down strap (supplied in accessories bag) to secure hose.

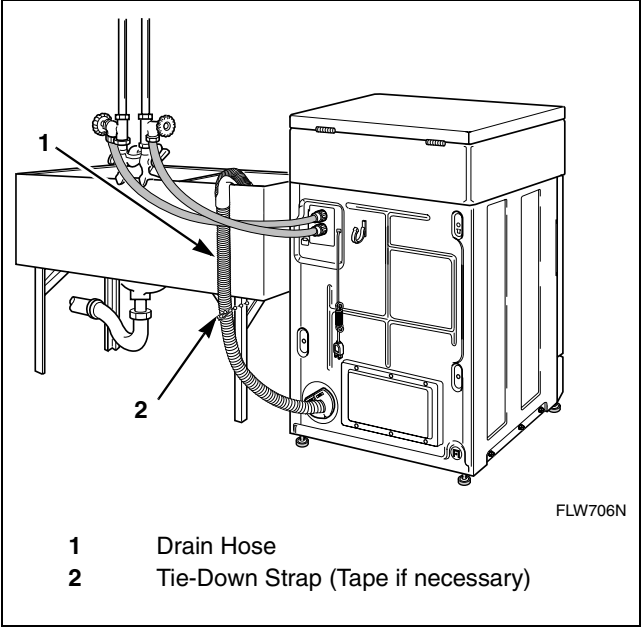



Figure 9

## Installation

### Step 4: Position and Level the Washer

|   |                |
|---|----------------|
|    | <b>WARNING</b> |
| <p><b>Washers elevated above floor level must be anchored to that elevated surface, base or platform. The material used to elevate the washer should also be anchored to the floor to ensure that the washer will not walk or that the washer can not be physically pulled, tipped or slid from its installed position. Failure to do so may result in conditions which can produce serious injury, death and/or property damage.</b></p> |                |
| <small>W306</small>   |                |

Place washer in position on a clean, firm and reasonably level floor. Installing the washer on any type of carpeting is not recommended.

Loosen 7/8 in. locknut and adjust the front and rear leveling legs until the washer is level from side to side and front to back (using a level). Washer should not rock.

**NOTE: Level must rest on raised portion of top panel. Refer to *Figure 10*.**

**Tighten the locknuts securely against the washer base using the 7/8 in. wrench. If the locknuts are not tight, washer will move out of position during operation.**

**NOTE: DO NOT slide washer across floor if the leveling legs have been extended, as legs and base could become damaged.**

**NOTE: Use of the dispenser drawer or washer door as a handle in the transportation of the washer may cause damage to the dispenser or door.**

Remove rubber feet from accessories bag and place on all four leveling legs.

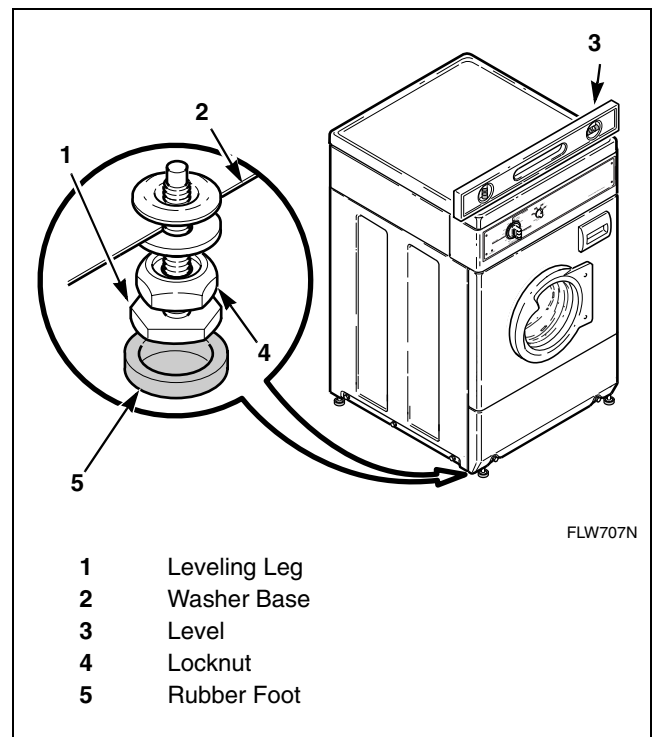


Figure 10

### Step 5: Remove the Shock Sleeves and Shipping Brace

Remove front access panel by removing the two screws.

Remove bolts and lockwashers from shipping brace with 9/16 in. wrench and remove brace. Remove shock sleeves by pulling on the yellow rope.

Remove label from front side of front access panel and place on backside of front access panel.

**NOTE: The shipping brace, bolts, lockwashers and shock sleeves should be saved and MUST be reinstalled whenever the unit is moved more than four feet. Do not lift or transport unit from front or without shipping materials installed.**

Store the shipping materials in the bag provided in the accessories bag. Save materials for use whenever the unit is moved.

**NOTE: The shipping materials MUST be reinstalled whenever the unit is moved. Refer to *Moving Unit to a New Location* section for proper instructions on reinstalling the shipping materials.**

Reinstall front access panel.

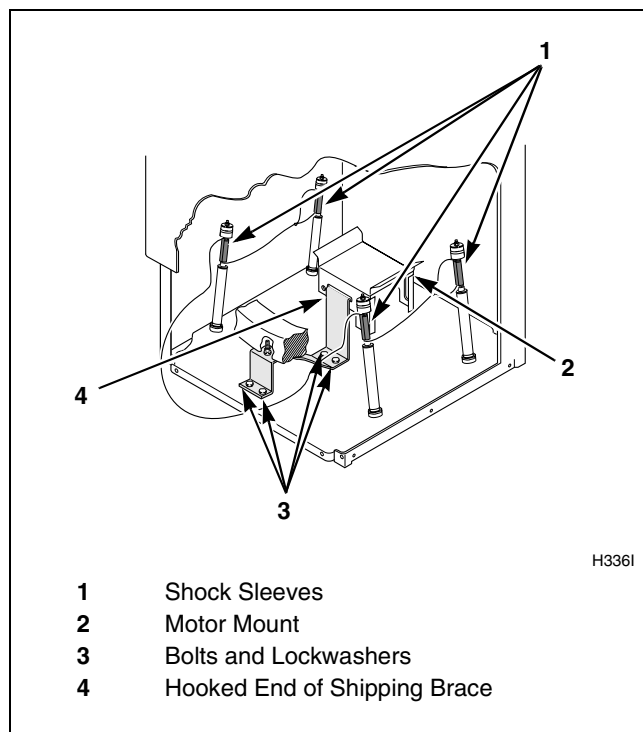


Figure 11

### Step 6: Wipe Out Inside of Washer Drum

Before using the washer for the first time, use an all-purpose cleaner, or a detergent and water solution, and a damp cloth to remove shipping dust from inside the drum.

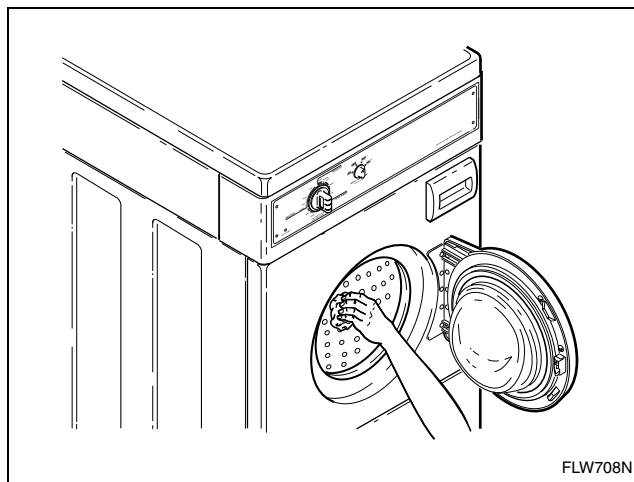


Figure 12

### Step 7: Plug In the Washer

Refer to section on *Electrical Requirements* and connect the washer to an electrical power source.

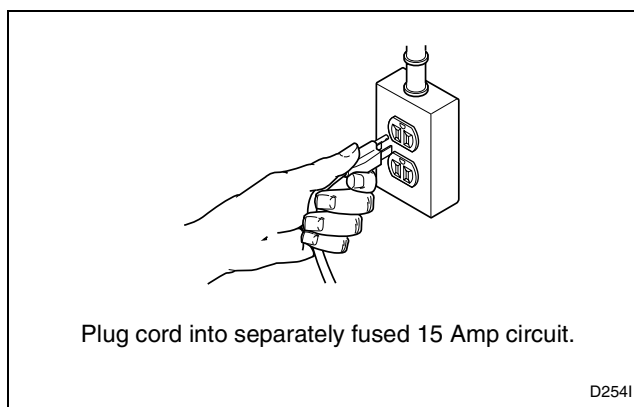


Figure 13

## Installation

### Step 8: Check Installation

Refer to *Installer Checklist* on the back cover and make sure that unit is installed correctly.

### Moving Unit to a New Location

Disconnect washer from electrical supply.

To prevent damage while moving the unit, the shipping materials **MUST BE** reinstalled.

#### *Reinstallation of Shipping Materials*

Remove front access panel by removing two screws.

Place the shock sleeves on all four shock absorbers. Refer to *Figure 14*.

Insert hooked end of shipping brace into the open slot of the motor mount. Attach with bolts and lockwashers. Refer to *Figure 14*.

Reinstall front access panel.

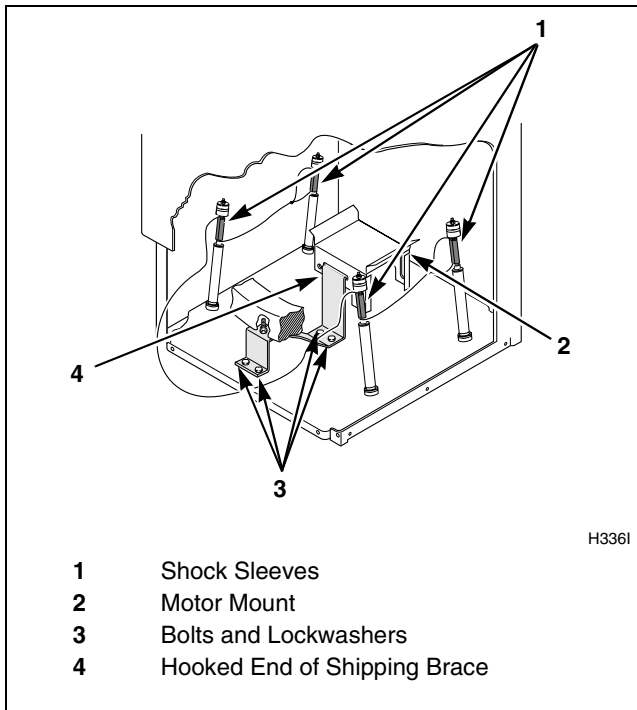


Figure 14

Refer to step 5 for proper procedures whenever the unit is moved.

## Electrical Requirements

(120 Volt, 60 Hertz with 3-Prong Grounding Plug)

**NOTE:** The wiring diagram is located behind the control panel, inside the control cabinet.


|   |                |
|---|----------------|
|   | <b>WARNING</b> |
| <p>To reduce the risk of fire, electric shock, serious injury or death, all wiring and grounding <b>MUST</b> conform with the latest edition of the National Electrical Code, ANSI/NFPA No. 70, and such local regulations as might apply. It is the customer's responsibility to have the wiring and fuses checked by a qualified electrician to make sure the laundry room has adequate electrical power to operate the washer.</p> |                |
| W227  |                |

|   |  |
|---|--|
| <p><b>DO NOT OVERLOAD CIRCUITS</b></p> <p><b>DO NOT USE AN ADAPTER</b></p> <p><b>DO NOT USE AN EXTENSION CORD</b></p> |  |
| D0091   |  |

Figure 15


The washer is designed to be operated on a separate branch, polarized, three-wire, effectively grounded, 120 Volt, 60 Hertz, AC (alternating current) circuit protected by a **15 Ampere fuse**, equivalent fusetrone or circuit breaker.

The three-prong grounding plug on the power cord should be plugged directly into a polarized three-slot effectively grounded receptacle rated 110/120 Volts AC (alternating current) 15 Amps. Refer to *Figure 16* to determine correct polarity of the wall receptable.

|   |                |
|---|----------------|
|    | <b>WARNING</b> |
| <p>To reduce the risk of an electric shock or fire, <b>DO NOT</b> use an extension cord or an adapter to connect the washer to the electric power source.</p> |                |
| W082  |                |


**Grounding Instructions**

The washer must be grounded. In the event of malfunction or breakdown, grounding will reduce the risk of electric shock by providing a path of least resistance for electric current. The washer is equipped with a cord having an equipment-grounding conductor and a 3-prong grounding plug. The plug must be plugged into an appropriate outlet that is properly installed and grounded in accordance with all local codes and ordinances.

|   |                |
|---|----------------|
|    | <b>WARNING</b> |
| <p>Improper connection of the equipment-grounding conductor can result in a risk of electric shock. Check with a qualified electrician or serviceman if you are in doubt as to whether the washer is properly grounded.</p> |                |
| W216  |                |

**DO NOT** modify the plug provided with the washer – if it will not fit the outlet, have a proper outlet installed by a qualified electrician.

**NOTE:** Have a qualified electrician check the polarity of the wall receptacle. If a voltage reading is measured other than that illustrated, the qualified electrician should correct the problem.

|  |                |
|--|----------------|
|   | <b>WARNING</b> |
| <p>This unit is equipped with a three-prong (grounding) plug for your protection against shock hazard and should be plugged directly into a properly grounded three-prong receptacle. Do not cut or remove the grounding prong from this plug.</p> |                |
| W213   |                |

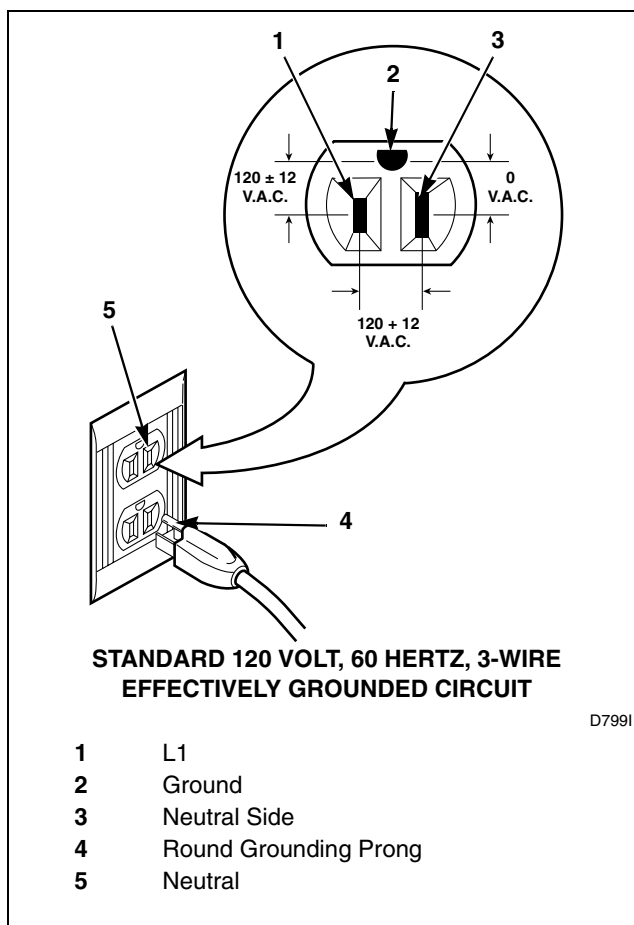




Figure 16

**DO NOT OPERATE OTHER APPLIANCES ON THE SAME CIRCUIT. DO NOT OVERLOAD CIRCUITS!**

Do not operate both a washer and gas dryer on the same circuit. Use separately fused 15 Amp circuits.

|  |                |
|--|----------------|
|   | <b>WARNING</b> |
| <p>To reduce the risk of electric shock or fire, <b>DO NOT</b> use an extension cord or an adapter to connect the washer to the electrical power source.</p> |                |
| W031   |                |

## Water Supply Requirements

|  |                |
|--|----------------|
|   | <b>WARNING</b> |
| <p>Under certain conditions, hydrogen gas may be produced in a hot water system that has not been used for two weeks or more. <b>HYDROGEN GAS IS EXPLOSIVE.</b> If the hot water system has not been used for such a period and before using the washer, turn on all hot water faucets and let the water flow from each for several minutes. This will release any accumulated hydrogen gas. The gas is flammable. Do not smoke or use an open flame during this time.</p> |                |
| W029   |                |

**NOTE:** Water supply faucets must fit standard 3/4 in. (19.1 mm) female garden hose couplings. **DO NOT USE SLIP-ON OR CLAMP-ON CONNECTIONS.**

**NOTE:** Water supply faucets should be readily accessible to permit turning them off when washer is not being used.

### Water Temperature

#### Cold:

Recommended cold water temperature is 60° to 80° Fahrenheit (16° to 27° Celsius).

#### Hot:

Recommended hot water temperature is 120° to 140° Fahrenheit (49° to 60° Celsius).

#### Warm:

Mixture of hot and cold water (warm water temperature is dependent upon the water temperature and the pressure of both the hot and cold water supply lines).

**IMPORTANT:** Turn off water supply faucets after check-out and demonstration. Owner should turn off water supply whenever there will be an extended period of non-use.

**NOTE:** Longer inlet hoses are available (as optional equipment at extra cost) if the hoses (supplied with the washer) are not long enough for the installation. Order hoses as follows:

- No. 20617 Inlet Hose (8 ft.) (2.44 m)
- No. 20618 Inlet Hose (10 ft.) (3.05 m)

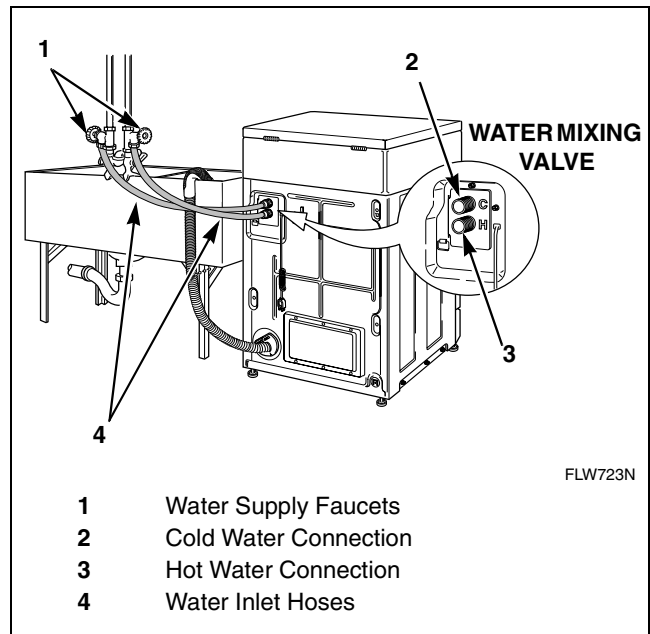


Figure 17

### Water Pressure

Pressure must be a minimum of 20 to a maximum of 120 pounds per square inch (138 to 827 kPa) static pressure measured at the faucet.

**NOTE:** Water pressure under 20 pounds per square inch (138 kPa) will cause an extended fill time in the washer and may not properly flush out the detergent dispenser.

### Risers

Risers (or air cushions) may have to be installed if the pipes knock or pound when flow of water stops. The risers are more efficient when installed as close as possible to the water supply faucets (refer to *Figure 18*).

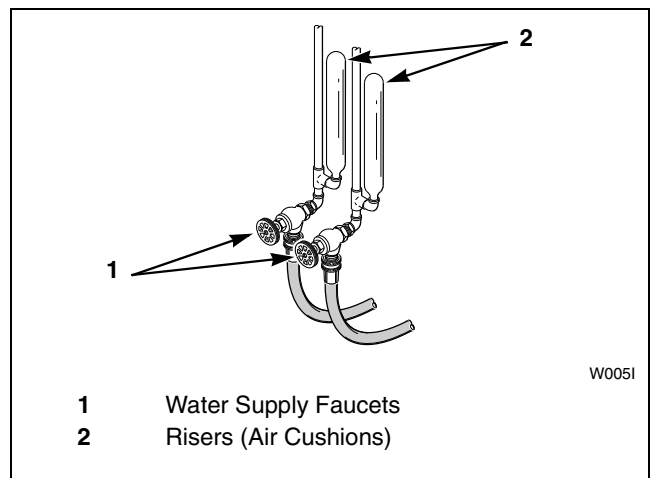


Figure 18



**Information for Handy Reference**

Alliance Laundry Systems  
Shepard Street  
P.O. Box 990  
Ripon, WI 54971-0990  
U.S.A.  
Phone: (920) 748-3950

Date Purchased \_\_\_\_\_

Model Number \_\_\_\_\_ Serial Number \_\_\_\_\_

Dealer's Name \_\_\_\_\_

Dealer's Address \_\_\_\_\_ Phone Number \_\_\_\_\_

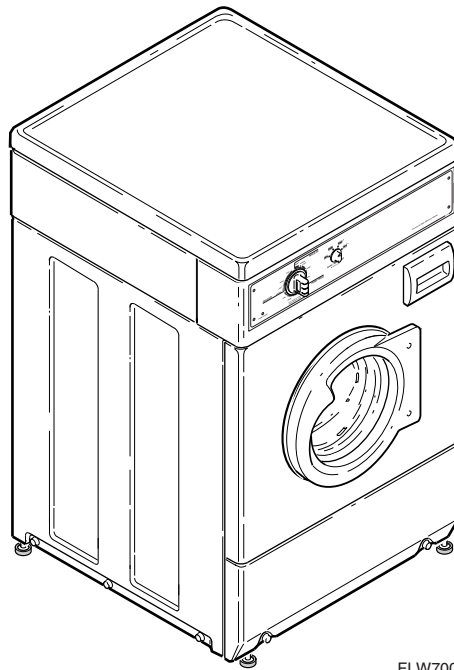
Service Agency \_\_\_\_\_

Service Agency Address \_\_\_\_\_ Phone Number \_\_\_\_\_

**NOTE: Record the above information and keep your sales slip. Model and serial numbers are located on the nameplate.**



# Lavadoras con la modalidad de agitación



FLW700C

**Guarde estas instrucciones para referencia en el futuro.**

(Si la lavadora cambia de dueño, asegúrese de que vaya acompañada de estas instrucciones).



# Contenido

|   |               |
|---|---------------|
| <b>Piezas de repuesto</b> .....   | 21            |
| <b>Instalación</b> .....  | 23            |
| Especificaciones y dimensiones .....  | 23            |
| Antes de comenzar.....  | 24            |
| Herramientas .....  | 24            |
| Suministro eléctrico .....  | 24            |
| Agua .....  | 24            |
| Bolsa de accesorios .....   | 24            |
| Instalación de la unidad .....  | 25            |
| Paso 1: Colocación de la lavadora cerca del área de instalación .....         | 25            |
| Paso 2: Conexión de las mangueras de suministro de agua.....                  | 25            |
| Paso 3: Conexión de la manguera de desagüe<br>al receptáculo de desagüe ..... | 26            |
| Paso 4: Coloque la lavadora en su lugar y nivélela .....                      | 28            |
| Paso 5: Saque los manguitos de amortiguador y<br>el tirante sujetador .....   | 29            |
| Paso 6: Limpie el interior del tambor de la lavadora .....                    | 29            |
| Paso 7: Enchufe la lavadora .....   | 29            |
| Paso 8: Revise la instalación .....   | 30            |
| Desplazamiento de la unidad a un nuevo sitio.....                             | 30            |
| Requisitos eléctricos .....   | 30            |
| Instrucciones para la conexión a tierra.....                                  | 31            |
| Requisitos de suministro de agua .....  | 32            |
| Temperatura del agua.....   | 32            |
| Presión del agua .....  | 32            |
| Tubos ascendentes .....   | 32            |
| Información de referencia.....  | 33            |
| <b>Lista de comprobación del instalador</b> .....                             | Contraportada |

© Copyright 2001, Alliance Laundry Systems LLC

Reservados todos los derechos. Ninguna sección del presente manual puede ser reproducida o transmitida en forma alguna o a través de ningún medio sin el expreso consentimiento por escrito del editor.



# Piezas de repuesto

Si se necesitan piezas de repuesto comuníquese con el vendedor o con:

**Alliance Laundry Systems**  
**Shepard Street**  
**P.O. Box 990**  
**Ripon, WI 54971-0990**  
**U.S.A.**  
**Teléfono: (920) 748-3950**

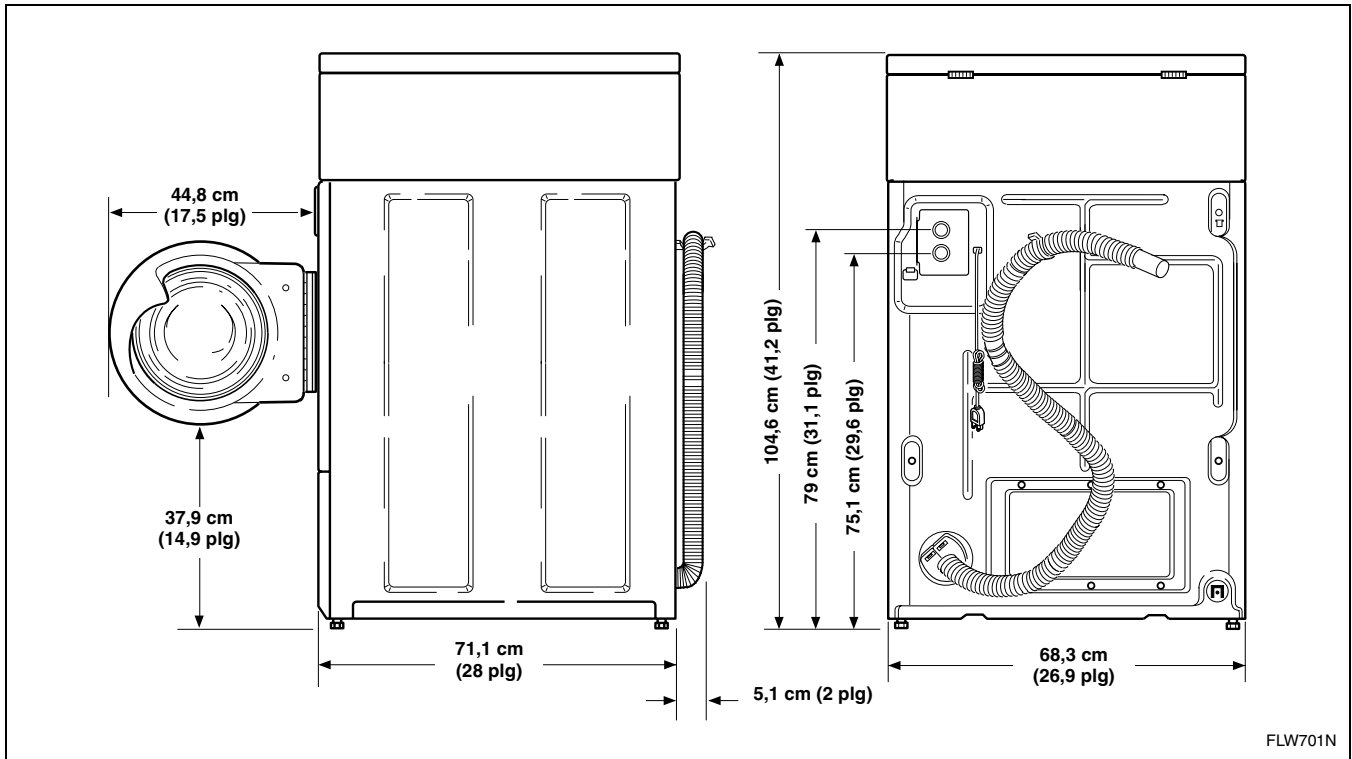
para obtener el nombre y la dirección del distribuidor autorizado de piezas de repuesto más cercano.





# Instalación

## Especificaciones y dimensiones



## Instalación

### Antes de comenzar

#### Herramientas

Éstas son las principales herramientas que necesitará en la mayoría de las instalaciones:

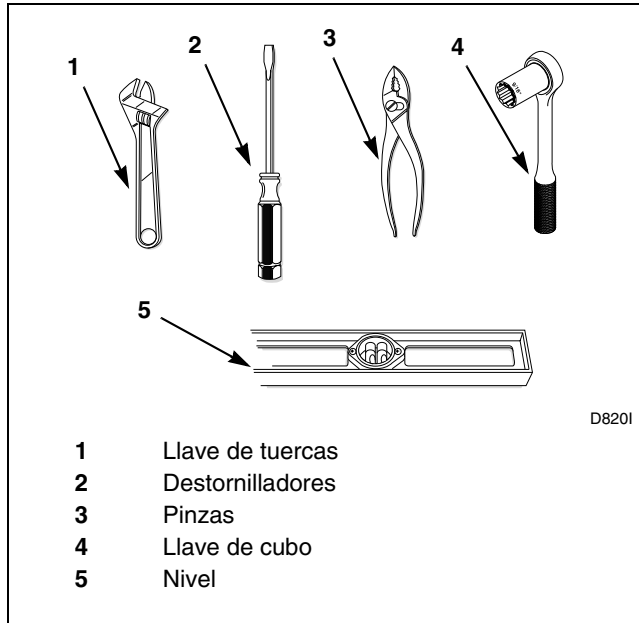


Figura 1

#### Suministro eléctrico

Consulte la placa de número de serie para determinar los requisitos eléctricos específicos. Para obtener más detalles, consulte la sección de *Requisitos eléctricos*.

#### Agua

La lavadora trabaja con dos grifos estándar de 19,1 mm (3/4 plg) para el suministro de agua con una presión que oscile entre 138 y 827 kPa (20 a 120 libras por pulgada cuadrada). Para obtener más detalles, consulte la sección de *Requisitos de suministro de agua*.

#### Bolsa de accesorios

Se incluye una bolsa de accesorios dentro de la lavadora que contiene lo siguiente:

- Dos mangueras de suministro con arandelas. Consulte el paso 2 de la sección *Instalación*.
- Cuatro patas de goma. Consulte el paso 4 de la sección *Instalación*.
- Abrazadera perlada. Consulte el paso 3 de la sección *Instalación*.
- Instrucciones de instalación.
- Guía de uso y cuidado.
- Hoja de instrucciones de operación.
- Certificado de garantía.
- Hoja con consejos útiles.
- Bolsa para guardar los materiales de transporte.

## Instalación de la unidad

### Paso 1: Colocación de la lavadora cerca del área de instalación

**IMPORTANTE:** Instale la secadora antes de instalar la lavadora. Así tendrá espacio para acoplar el ducto de escape.

Coloque la lavadora lo más cerca del área de instalación.



Figura 2

### Paso 2: Conexión de las mangueras de suministro de agua

**NOTA:** Consulte la sección de *Requisitos de suministro de agua* antes de conectar las mangueras de suministro de agua.

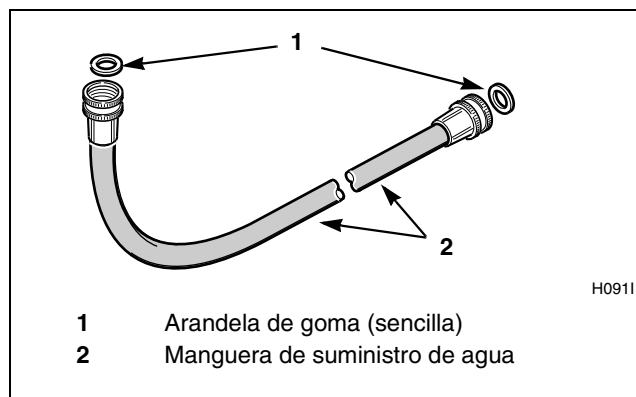
Saque las cuatro arandelas de goma planas de la bolsa de accesorios e instálelas como se indica en la *Figura 3*.

Abra los grifos de suministro de agua y limpie las tuberías dejando que el agua fluya por aproximadamente dos minutos para eliminar cualquier material extraño que pueda obstruir las mallas de la válvula para mezclar el agua.

**NOTA:** Cuando instale la lavadora en una vivienda recién construida o remodelada es muy importante que limpie las tuberías dejando que el agua fluya, ya que pudo haberse acumulado material en las mismas durante la construcción.

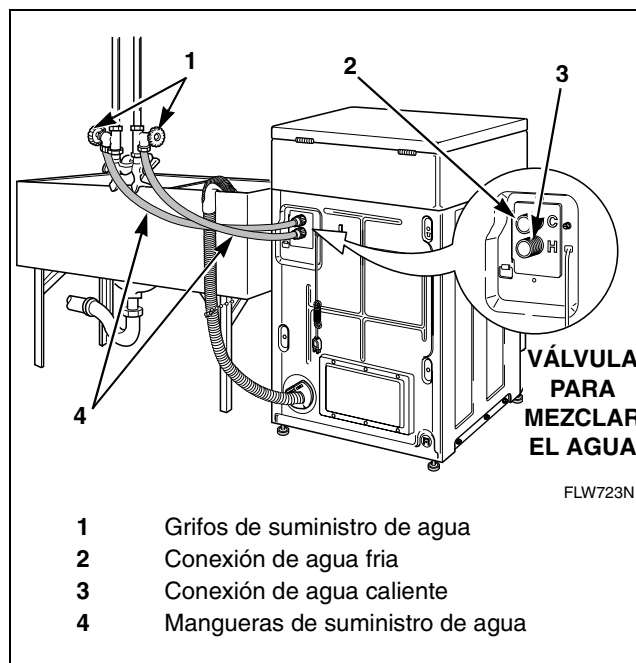
**IMPORTANTE:** Enrosque a mano las uniones en las conexiones de válvula y seguidamente gire aproximadamente un 1/4 de vuelta con la ayuda de una tenaza. Tenga cuidado de **NO** apretar excesivamente las uniones ni pasarlas de rosca.

Abra el grifo de agua y determine si hay fugas. Si detecta alguna fuga, reajuste las uniones de la manguera. Siga apretando y revise hasta eliminar las fugas.



- 1 Arandela de goma (sencilla)
- 2 Manguera de suministro de agua

Figura 3



- 1 Grifos de suministro de agua
- 2 Conexión de agua fría
- 3 Conexión de agua caliente
- 4 Mangueras de suministro de agua

VÁLVULA PARA MEZCLAR EL AGUA

Figura 4

## Instalación

### Paso 3: Conexión de la manguera de desagüe al receptáculo de desagüe

Saque la manguera del lugar de embarque en la parte trasera de la lavadora, desenganchando la manguera de la abrazadera de fijación.

Busque en las páginas siguientes las instrucciones que se adapten a su tipo de receptáculo de desagüe (tubo vertical de desagüe, lavamanos, pared o batea). Siga las instrucciones para una instalación apropiada de la manguera de desagüe.

**IMPORTANTE: El receptáculo de desagüe debe ser el apropiado para una manguera de desagüe con un diámetro exterior de 3,2 cm (1-1/4 plg) como mínimo.**

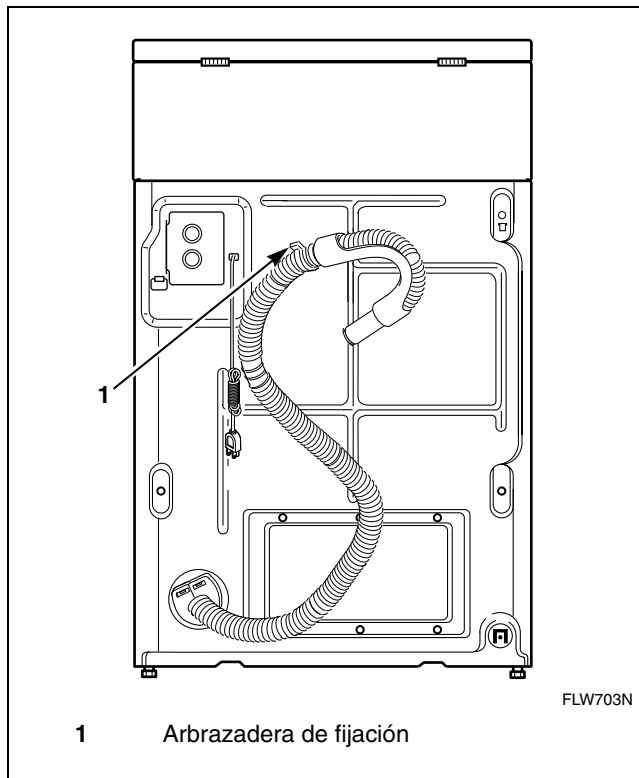


Figura 5

### Instalación del tubo vertical de desagüe

Coloque el adaptador dentro del tubo vertical de desagüe.

Saque la abrazadera perlada de la bolsa de accesorios, colóquela alrededor del tubo vertical de desagüe y la manguera de desagüe, y apriete la correa para sujetar la manguera al tubo vertical de desagüe. Así se evita que se salga la manguera del receptáculo de desagüe cuando se esté utilizando.

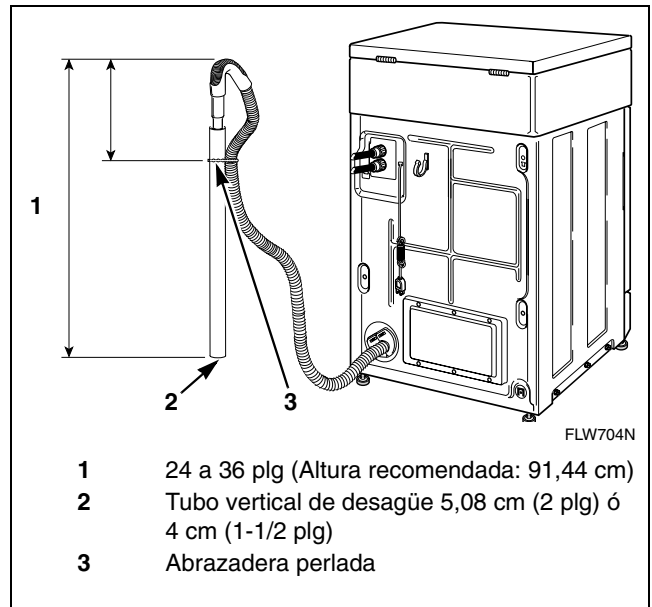


Figura 6

### Instalación a un lavamanos

Para este tipo de instalación utilice la abrazadera perlada (que viene en la bolsa de accesorios) o una abrazadera grande para cable (que puede adquirir en una tienda de herramientas local) y fije la manguera de desagüe a la bisagra de la parte superior del gabinete (consulte la Figura 7). Así se evita que la manguera de desagüe se salga cuando se esté utilizando.

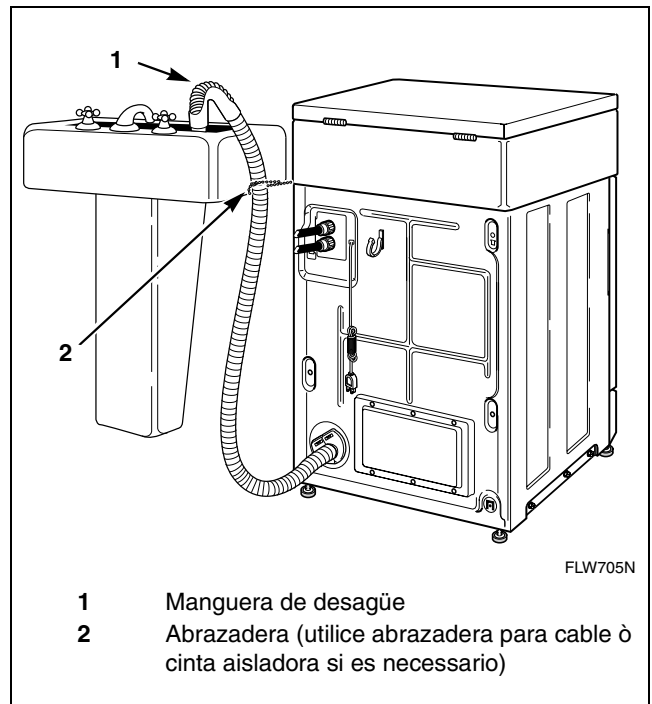


Figura 7

### Instalación en la pared

En este tipo de instalación, la manguera de desagüe DEBERÁ asegurarse a una de las mangueras de suministro de agua utilizando la abrazadera perlada que viene en la bolsa de accesorios.

**NOTA: El extremo de la manguera de desagüe no debe quedar a una altura menor que 61 cm (24 plg).**

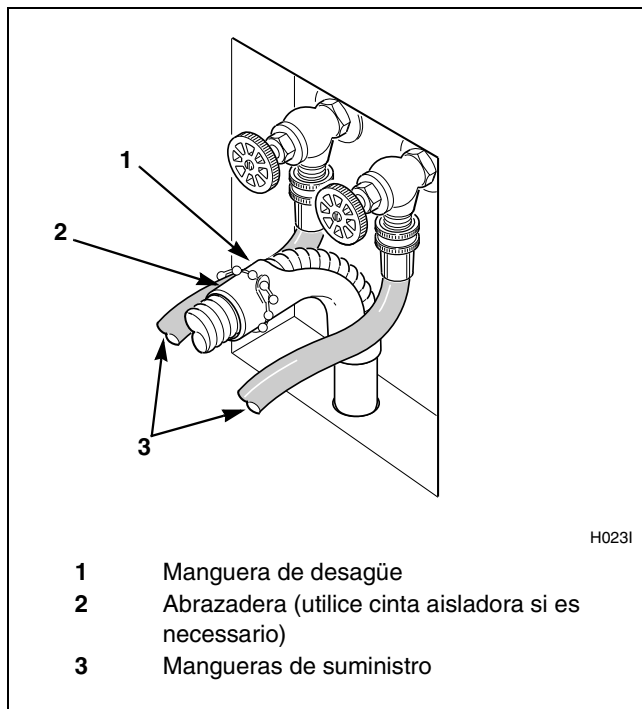


Figura 8

### Instalación a una batea

En este tipo de instalación, la manguera de desagüe DEBERÁ asegurarse a la batea fija, para evitar que la manguera se salga cuando se esté utilizando. Use la abrazadera perlada (que viene en la bolsa de accesorios) para fijar la manguera.

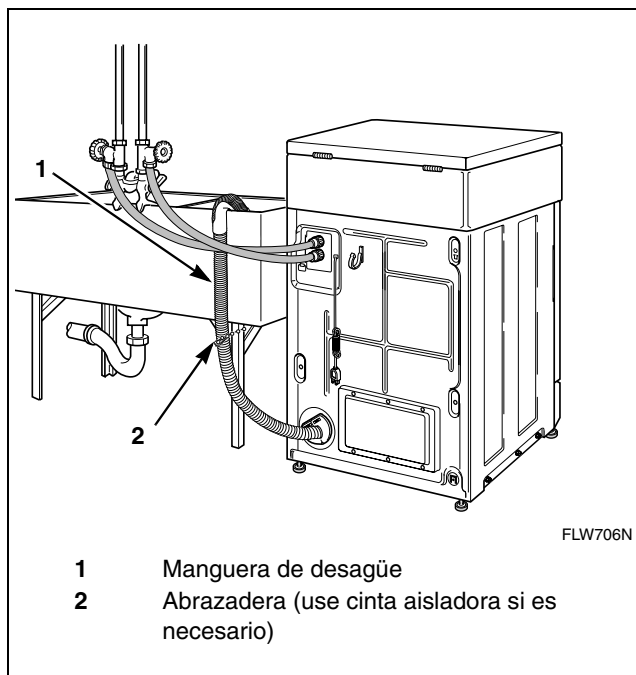



Figura 9

### Paso 4: Coloque la lavadora en su lugar y nivélela

|  |                    |
|--|--------------------|
|   | <b>ADVERTENCIA</b> |
| <p>Las lavadoras elevadas sobre el nivel del piso deberán fijarse mediante pernos de anclaje a la superficie elevada, base o plataforma. El material usado para elevar la lavadora deberá estar también anclado al piso para impedir que la lavadora se desplace de su lugar al funcionar, y para evitar que pueda ser empujada, inclinada o deslizada de su posición de instalación. De no hacerlo, pueden presentarse condiciones peligrosas que podrían ocasionar daños a la propiedad o lesiones graves e incluso fatales.</p> |                    |
| <small>W306S</small>   |                    |

Coloque la lavadora en su posición sobre un piso limpio, firme y suficientemente nivelado. No es recomendable instalar la lavadora sobre alfombras de ningún tipo.

Afloje las tuercas de seguridad de 7/8 plg y ajuste las patas de nivelación frontales y posteriores hasta que la lavadora quede nivelada, no solo en sentido lateral sino también de atrás hacia adelante (use un nivel para este procedimiento). La lavadora no debe cojear.

**NOTA: El nivel deberá colocarse sobre la posición elevada del panel superior. Consulte la Figura 10.**

**Apriete las tuercas de seguridad firmemente contra la base de la lavadora** con una llave de 7/8 plg. Si las tuercas de seguridad no se aprietan debidamente, la lavadora se moverá de su posición al funcionar.

**NOTA: NO deslice la lavadora sobre el piso con las patas niveladoras extendidas ya que podrían resultar dañadas.**

**NOTA: El uso de la gaveta del surtidor o de la compuerta de la lavadora como agarradera al transportar la lavadora puede dañar el surtidor o la compuerta.**

Saque las patas de goma que vienen en la bolsa de accesorios y colóquelas en las patas de nivelación.

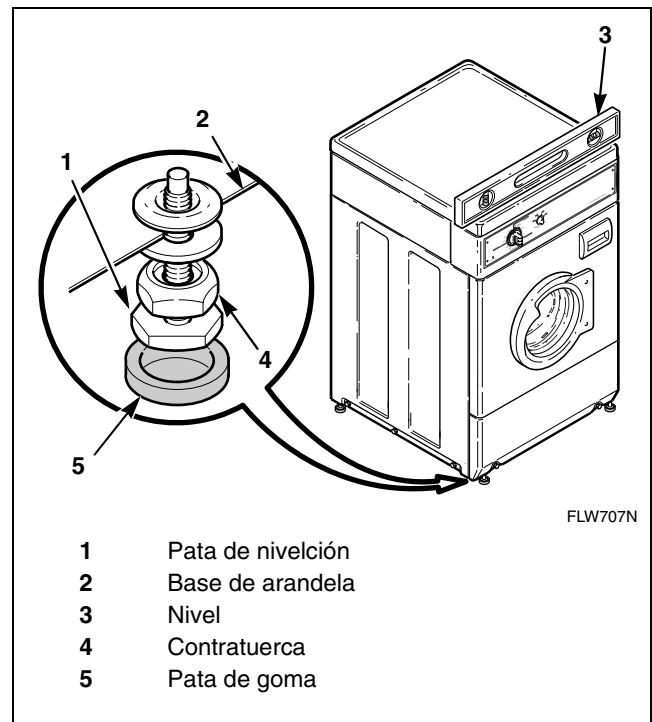


Figura 10

### Paso 5: Saque los manguitos de amortiguador y el tirante sujetador

Desmonte el panel de acceso frontal sacando los dos tornillos.

Saque los pernos y arandelas de seguridad del tirante sujetador con una llave de tuercas de 9/16 plg y saque el tirante sujetador. Desmonte los manguitos de amortiguador tirando de la cuerda amarilla.

Quite la etiqueta de la parte lateral delantera del panel de acceso frontal y colóquela en la parte posterior de dicho panel.

**NOTA: El tirante sujetador, así como los pernos, arandelas de seguridad y manguitos de amortiguador deben conservarse y VOLVER A INSTALARSE si fuera necesario desplazar la lavadora una distancia mayor de 1,2 metros (4 pies). No levante o transporte la lavadora por el frente o sin haber instalado previamente los materiales de transporte.**

Guarde los materiales de transporte en la bolsa provista dentro de la bolsa de accesorios. Conserve los materiales para usarlos cuando haya que desplazar la lavadora.

**NOTA: Los materiales de transporte DEBERÁN reinstalarse al mover la unidad de un lugar a otro. Las instrucciones para reinstalar estos materiales se encuentran en la sección *Desplazamiento de la unidad a un nuevo sitio*.**

Vuelva a instalar el panel de acceso delantero.

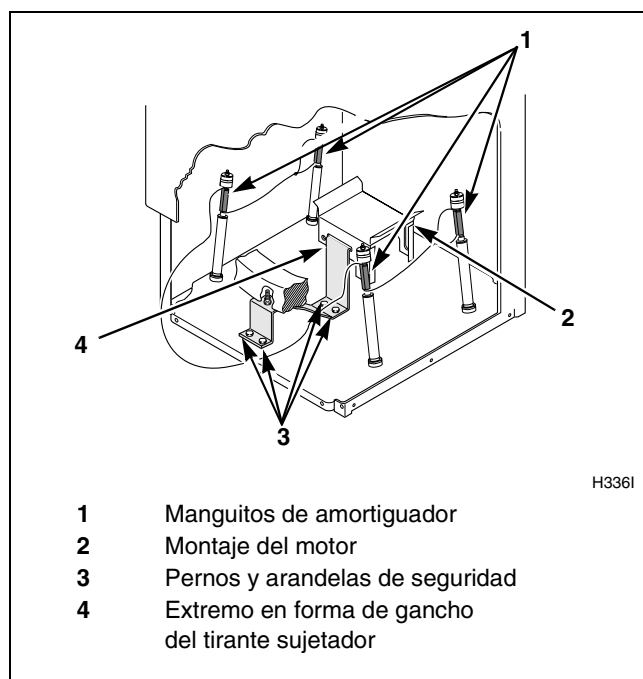


Figura 11

### Paso 6: Limpie el interior del tambor de la lavadora

Antes de utilizar la lavadora por primera vez, aplique un limpiador para todo uso o una solución de agua y detergente con un paño húmedo a fin de eliminar el polvo que pueda haber caído en el tambor durante el transporte.

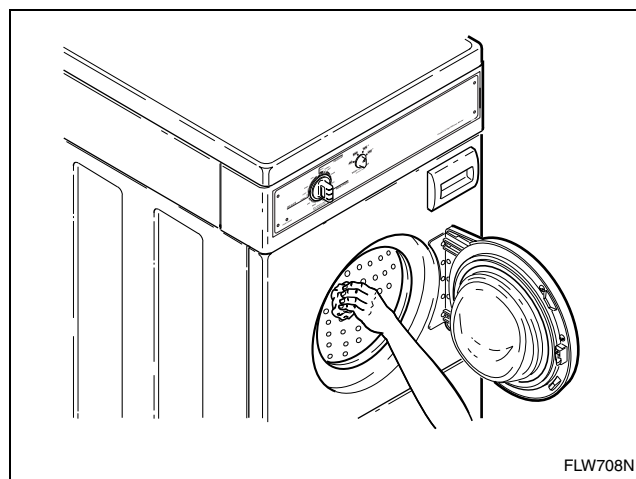


Figura 12

### Paso 7: Enchufe la lavadora

Consulte la sección de *Requisitos eléctricos* y conecte la lavadora a un receptáculo de pared.

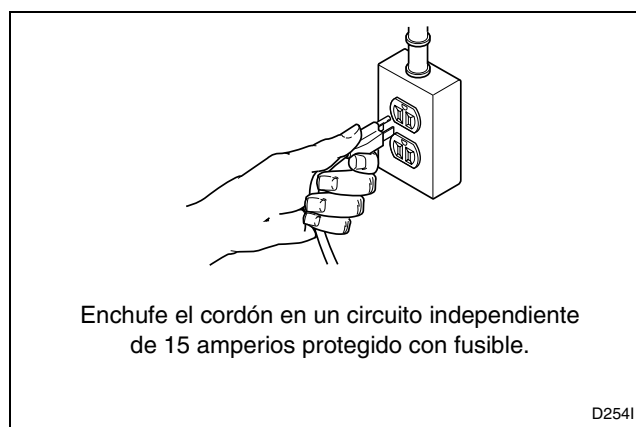


Figura 13

## Instalación

### Paso 8: Revise la instalación

Consulte la *Lista de comprobación del instalador* que aparece en la contraportada y asegúrese de que la unidad esté correctamente instalada.

### Desplazamiento de la unidad a un nuevo sitio

Desconecte la lavadora de la corriente eléctrica.

Para prevenir daños durante el desplazamiento de la unidad, DEBERÁ volver a instalar los materiales de transporte.

#### *Reinstalación de los materiales de transporte*

Saque el panel de acceso frontal retirando dos tornillos.

Coloque los manguitos de amortiguador sobre los cuatro amortiguadores. Consulte la *Figura 14*.

Inserte el lado en forma de gancho del tirante sujetador de embarque dentro de la ranura del montaje del motor. Asegure con pernos y arandelas de seguridad. Consulte la *Figura 14*.

Reinstale el panel de acceso frontal.

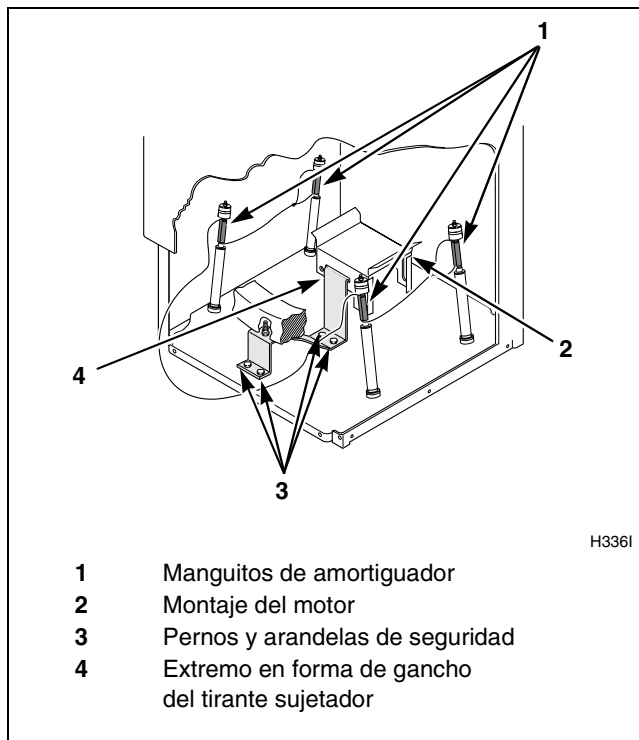


Figura 14

Para consultar los procedimientos adecuados al momento de desplazar la unidad, consulte el paso 5.

## Requisitos eléctricos

(Enchufe de tres terminales de 120 voltios, 60 Hertzios, con conexión a tierra)

**NOTA:** El diagrama de cableado se encuentra detrás del panel de control, dentro del gabinete de control.



## ADVERTENCIA

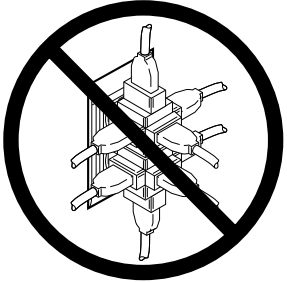
**Para reducir el riesgo de incendio, descarga eléctrica o lesiones personales, todo el cableado y las conexiones a tierra DEBERÁN cumplir con las estipulaciones de la última edición de las Normas para instalaciones eléctricas de los Estados Unidos (National Electrical Code), ANSI/NFPA 70 y las regulaciones locales pertinentes, según el caso. Es responsabilidad del cliente hacer que un electricista calificado revise el cableado, los fusibles y los cortacircuitos, a fin de asegurarse de que la sala de lavandería cuenta con la capacidad de energía eléctrica necesaria para el funcionamiento de la lavadora.**

W227S

**NO SOBRECARGUE  
LOS CIRCUITOS**

**NO UTILICE  
ADAPTADOR**

**NO UTILICE  
CORDÓN DE  
EXTENSIÓN**



D0091

Figura 15

La lavadora está diseñada para funcionar al ser conectada en una ramal independiente, polarizada, de tres conductores, con conexión a tierra, de 120 Voltios, 60 Hertzios, circuito de corriente alterna (CA), protegido por un **fusible de 15 amperios**, un fusetrón (fusible de acción lenta) o un interruptor de circuito.

La clavija de conexión a tierra de tres patillas en el cable de corriente debe ser conectada directamente en un tomacorriente con conexión a tierra de tres ranuras de 110/120 Voltios de CA (corriente alterna) de 15 amperios. Consulte la *Figura 16* para determinar la polaridad correcta del receptáculos de la pared.



**⚠** **ADVERTENCIA**

Para reducir el riesgo de sufrir una descarga eléctrica o de causar un incendio, **NO** use una extensión de cable de corriente ni un adaptador para conectar la lavadora a la fuente de corriente eléctrica.

W082S

**Instrucciones para la conexión a tierra**

La lavadora debe conectarse a tierra. La conexión a tierra reduce los riesgos de descarga eléctrica en el caso de mal funcionamiento o averías eléctricas, creando una ruta de menor resistencia para la corriente eléctrica. La lavadora tiene un cordón con un conductor de tierra del equipo y un enchufe de tierra de tres terminales. Dicho enchufe debe conectarse directamente a un receptáculo apropiado que esté debidamente instalado y conectado a tierra, de conformidad con las normas y ordenanzas locales.

**⚠** **ADVERTENCIA**

La conexión indebida del conductor de tierra del equipo representa un riesgo de descarga eléctrica. Consulte a un técnico de mantenimiento o electricista calificado si no está seguro de que la lavadora está debidamente conectada a tierra.

W216S

**NO REALICE** modificaciones en el enchufe que trae la lavadora – Si el mismo no entra en el receptáculo, contrate los servicios de un electricista calificado para que le instale el receptáculo de pared apropiado.

**NOTA:** Llame a un electricista calificado para que revise la polaridad del receptáculo de pared. Si la lectura del voltaje difiere de la que aparece en la ilustración, el electricista debe solucionar el problema.

**⚠** **ADVERTENCIA**

Esta unidad está equipada con un enchufe de tres terminales (con conexión a tierra) para protegerlo contra posibles choques eléctricos, el cual deberá enchufarse directamente a un receptáculo de tres terminales debidamente conectado a tierra. No corte ni retire el terminal de tierra del enchufe.

W213S

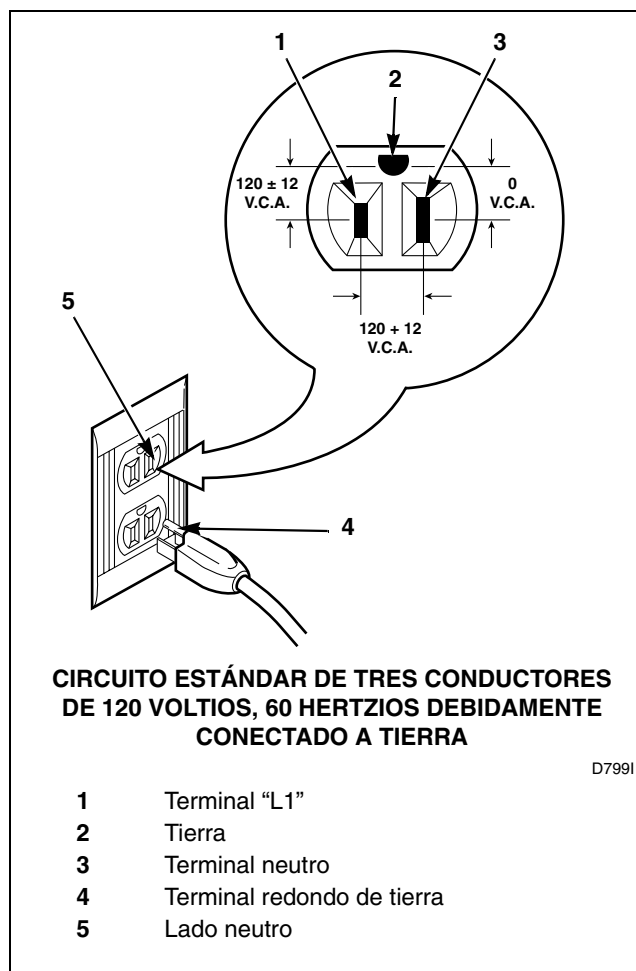


Figura 16

**NO USE OTROS APARATOS ELECTRODOMÉSTICOS EN EL MISMO CIRCUITO. ¡NO SOBRECARGUE LOS CIRCUITOS!**

No haga funcionar la lavadora y la secadora simultáneamente si están conectadas al mismo circuito. Utilice circuitos separados de 15 amperios protegidos con fusibles.

**⚠** **ADVERTENCIA**

Para reducir el riesgo de descargas eléctricas o incendio, **NO** utilice un adaptador o cordón de extensión para conectar la secadora a la fuente de energía eléctrica.

W031S

## Requisitos de suministro de agua

|  |                    |
|--|--------------------|
|  | <b>ADVERTENCIA</b> |
| <p>En ciertos casos, puede acumularse gas hidrógeno en el sistema de agua caliente si el agua no ha sido utilizada durante dos semanas o más. <b>EL GAS HIDRÓGENO ES EXPLOSIVO.</b> Si no se ha utilizado el sistema de agua caliente durante este lapso de tiempo, antes de usar la lavadora abra los grifos de agua caliente y deje que el agua fluya durante varios minutos. De esta manera se liberará el gas de hidrógeno acumulado. Este gas es inflamable. No fume ni use una llama abierta durante este procedimiento.</p> |                    |
| W029SB   |                    |

**NOTA:** Los grifos de suministro de agua deben entrar en uniones hembra estándar de 19,1 mm (3/4 plg) para mangueras de jardín. **NO USE CONEXIONES DE GANCHO O DE DESLIZAMIENTO.**

**NOTA:** Debe tenerse un fácil acceso a los grifos de suministro de agua para poder cerrarlos cuando no se esté utilizando la lavadora.

### Temperatura del agua

#### Fría:

Se recomienda una temperatura para el agua fría entre 16° y 27° centígrados (60° y 80° Fahrenheit).

#### Caliente:

Se recomienda una temperatura para el agua caliente entre 49° y 60° centígrados (120° y 140° Fahrenheit).

#### Tibia:

Es una mezcla de agua caliente y agua fría. (La temperatura del agua tibia depende de la temperatura del agua y de la presión de las tuberías de agua caliente y agua fría).

**IMPORTANTE:** Cierre los grifos de suministro de agua después de la revisión y demostración. El dueño de la unidad debe cerrar los grifos de suministro de agua siempre que no vaya a utilizarla por un período de tiempo prolongado.

**NOTA:** Pueden adquirirse mangueras de suministro de agua más largas (como equipo opcional con un costo adicional), si las mangueras (que vienen con la lavadora) no son lo suficientemente largas para la instalación. Pida sus mangueras de la manera siguiente:

Manguera de suministro No. 20617 (2,44 m) (8 pies)  
Manguera de suministro No. 20618 (3,05 m) (10 pies)

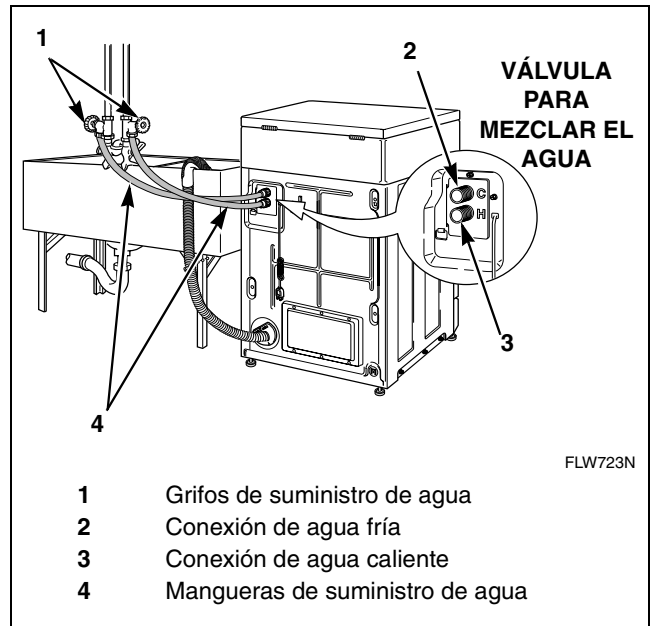


Figura 17

### Presión del agua

La presión estática del agua medida en el grifo deberá estar entre 138 kPa la mínima y 827 kPa la máxima (20 a 120 libras por pulgada cuadrada).

**NOTA:** Una presión del agua menor a las 138 kPa (20 libras por pulgada cuadrada) causa un aumento del tiempo de llenado de la lavadora y es posible que no accione adecuadamente el surtidor de detergente.

### Tubos ascendentes

Quizá sea necesario instalar tubos ascendentes (o cojines de aire), si entra aire en los tubos y los mismos emiten un golpeteo cuando cesa el suministro de agua. Los tubos ascendentes son más eficaces cuando se instalan lo más cerca posible de los grifos de suministro de agua (consulte la *Figura 18*).

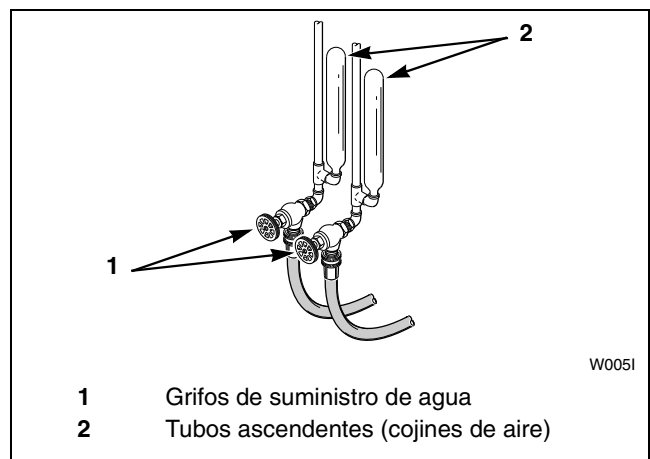


Figura 18

## Información de referencia

Alliance Laundry Systems  
Shepard Street  
P.O. Box 990  
Ripon, WI 54971-0990  
U.S.A.  
Teléfono: (920) 748-3950

Fecha de compra \_\_\_\_\_

Número de modelo \_\_\_\_\_ Número de serie \_\_\_\_\_

Nombre del distribuidor \_\_\_\_\_

Dirección del distribuidor \_\_\_\_\_ Teléfono \_\_\_\_\_

Agencia de servicio \_\_\_\_\_

Dirección de la agencia de servicio \_\_\_\_\_ Teléfono \_\_\_\_\_

**NOTA: Registre la información anterior y guarde su recibo de compra. Los números de modelo y de serie aparecen en la placa.**





# Installer Checklist

## Fast Track for Installing the Washer

(Refer to the manual for more detailed information)

# Lista de comprobación del instalador

## Guía rápida para instalar la lavadora

(Consulte el manual para obtener una información más detallada)

**1**

- Position Washer Near Installation Area.
- Colocación de la lavadora cerca del área de instalación.

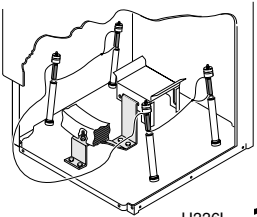


*CHECK/ REALIZADO*

FLW702N

**5**

- Remove the Shipping Brace and Shock Sleeves.
- Saque los manguitos de amortiguador y el tirante sujetador.



*CHECK/ REALIZADO*

H336I

**2**

- Connect Water Inlet Hoses.
- Conexión de las mangueras de suministro de agua.



*CHECK/ REALIZADO*

W004I

**6**

- Wipe Out Inside of Wash Drum.
- Limpie el interior del tambor de la lavadora.

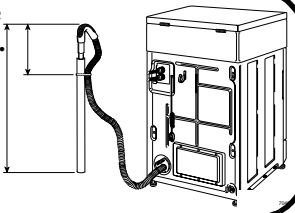


*CHECK/ REALIZADO*

FLW708N

**3**

- Connect Drain Hose to Drain Receptacle.
- Conexión de la manguera de desagüe al receptáculo de desagüe.

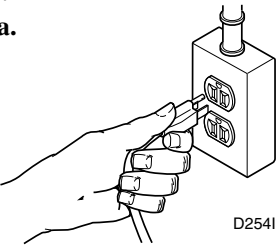


*CHECK/ REALIZADO*

FLW704N

**7**

- Plug In the Washer.
- Enchufe la lavadora.

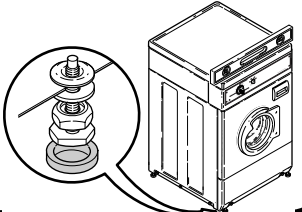


*CHECK/ REALIZADO*

D254I

**4**

- Position and Level the Washer.
- Coloque la lavadora en su lugar y nivélela.



*CHECK/ REALIZADO*

FLW707N